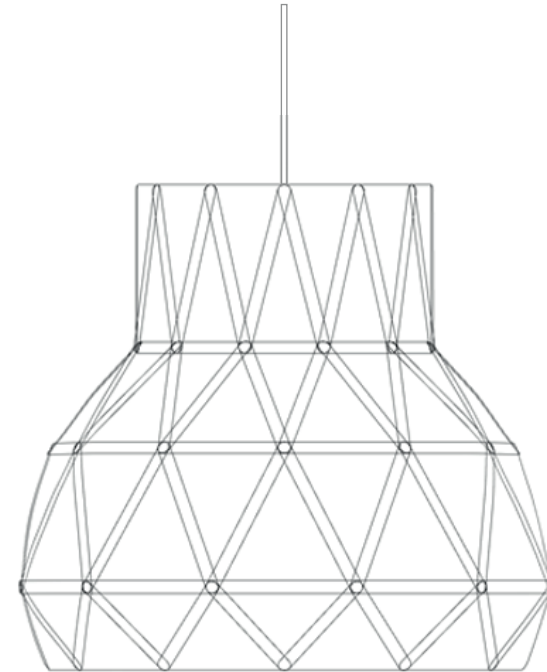


ADAMLAMP

WOOD  
VENEER LIGHT  
ROBUST  
60





## Wood Veneer Light Robust 60

Wooden Illumination Light. Maple Wood Veneer Pendant Light.

Ball shape. System of triangle elements.

A decorative lamp which highlights the natural beauty of individual unique wood structure and veining.

The wood material retains its natural beauty for a long time.

Each piece is individually assembled by hand.

The triangle elements of the lamp are made by cnc cut, made of warm laminated thin wood veneer on both sides.

Excellent lighting, not just for decoration.

---

Type: Pendant Light

---

Product family: Wood Veneer Light

---

Product Code: WVL60

---

Material: thin maple wood veneer, hot laminated on both sides thin matte foil, UV-protective film, stainless steel screws,

---

Colour: maple, naturally wood, light wood colour,

---

Cable length: 250 cm / 98.42"

---

Cable colour: White

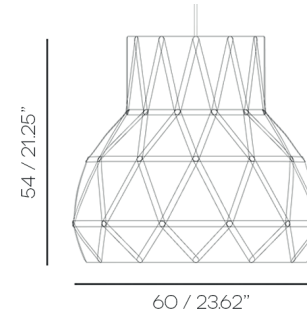
---

Ceiling Rose

Diameter: 12 cm / 4.72"

Colour: white

Material: aluminium, sintered white,




---

Bulb spec

E27 bulb holder.

LED, Compact Fluorescent (CFL), Halogen, Incandescent bulb,  
Recommends E27 low energy LED bulb.

E27 LED bulb 2700K / 3000K, 4W-22W (40W-150W Incandescent Light Bulb)

8W - 9W 806 lm (60W Incandescent bulb)

11W - 13W 1500lm (100W Incandescent bulb)

18W 2000lm (120W Incandescent light bulb)

22W 2500lm (150W Incandescent light bulb)

Avoid the use of conventional bulbs, they may overheat.

---

Cleaning Instructions

Dust the lamp with a duster. Wiping cloth. Vacuum cleaner.

Always switch off the electricity supply.

---

Dimensions (cm/in)

Ø 60 cm / 23.62 inch H 54 cm / 21.25 inch

---

Weight (kg)

max 2 kg

---

Packaging(m)(H,W,D)

0.54 0.60 0.60

---

Custom size or shape can be solved,

please contact us with your requirements.

If you have any questions about a product  
orders@adamlamp.com