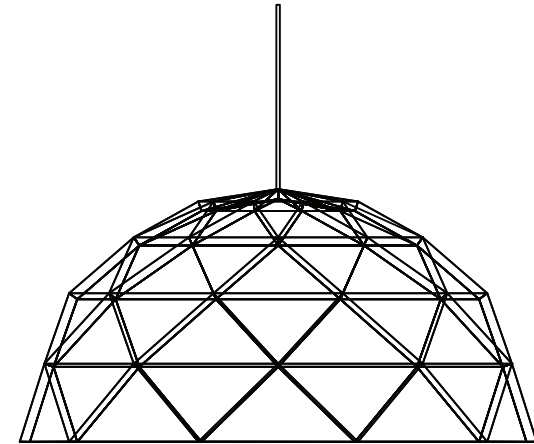


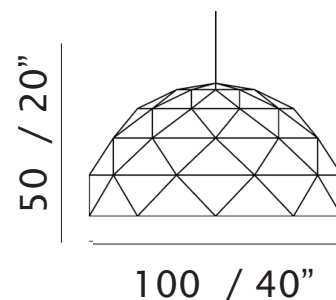
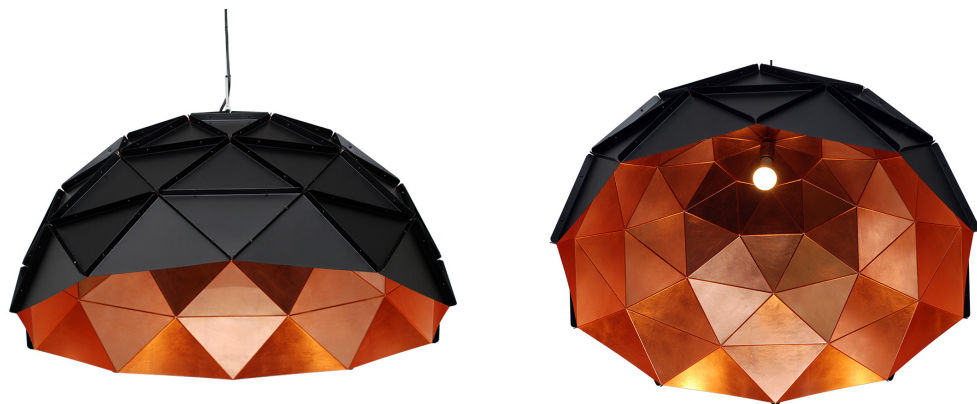
SUN CHANDELIER

COPPER

100

ADAMLAMP





Sun Chandelier Copper 100

The structure consists of a system of triangle, which create a half-sphere shape. The design is based on an architectural-geometrical structure.

The chassis of the lighting object is made of stainless steel, with traditional water gilding technique.

Type: Pendant Light

Product Code: SCCMB100

Material: Stainless steel,

Colour: inside: traditional water gilding technique, copper leaf,
outside: powder coated matte black,

Cable length: 300 cm / 118.11"

Cable colour: White

Ceiling Rose

Diameter: 15 cm / 5.9"

Colour: powder coated matte black,

Material: Aluminium

Bulb spec

E27 bulb holder.

Recommends Halogen bulb, standard incandescent, CFL or LED bulbs.

Cleaning Instructions

Dust the lamp with a duster.

Always switch off the electricity supply.

Do not use water or abrasive materials when cleaning.

Dimensions (cm/in)

Ø 100 cm / 40 inch H 50 cm / 20 inch

Weight (kg)

max 16 kg

Packaging(m)(H,W,D)

1.11 1.11 0.68

Custom size or shape can be solved,

please contact us with your requirements.

If you have any questions about a product

orders@adamlamp.com

